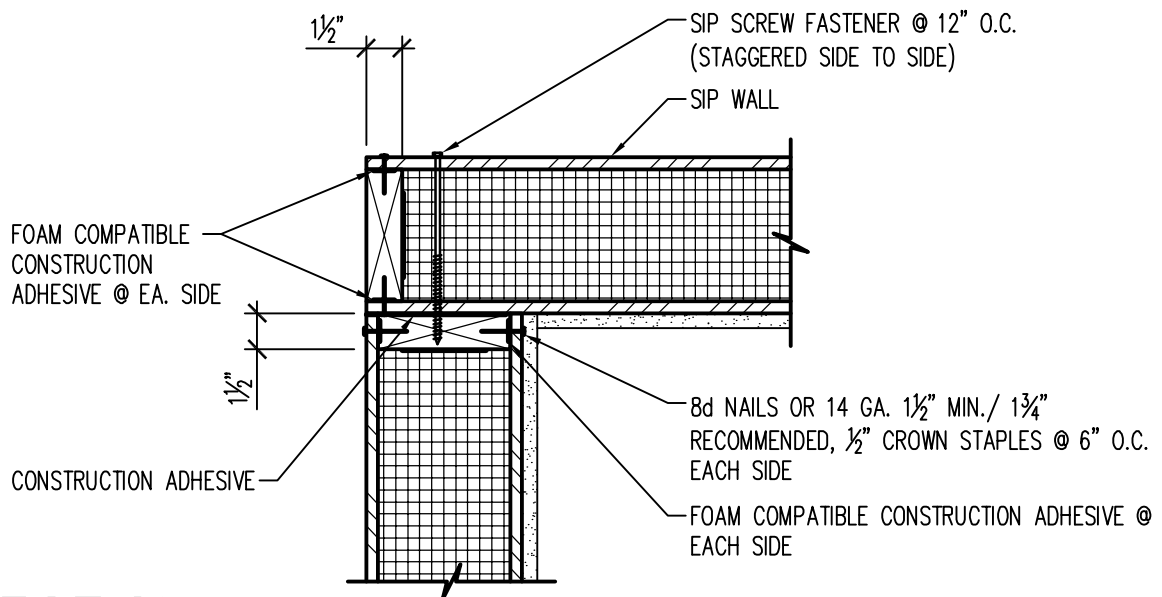


# PLAN

NOT TO SCALE



# SECTION

NOT TO SCALE

NOTE:  
SIP SCREW FASTENERS TO BE FLUSH WITH PANEL SKINS. DO NOT OVERSCREW SIP SCREW FASTENERS.



**SURETIGHT**  
INSULATED PANELS  
BUILD SMARTER. LIVE BETTER.

SHEET TITLE: CORNER CONNECTION		
SCALE: NTS	LAST UPDATED: 12-06-05	SHEET NO: SIPS-6