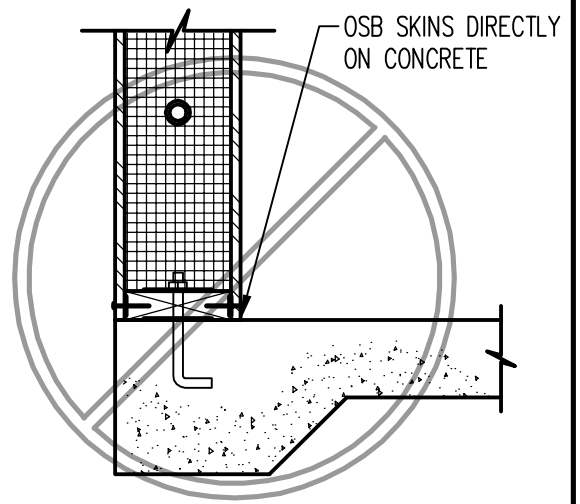
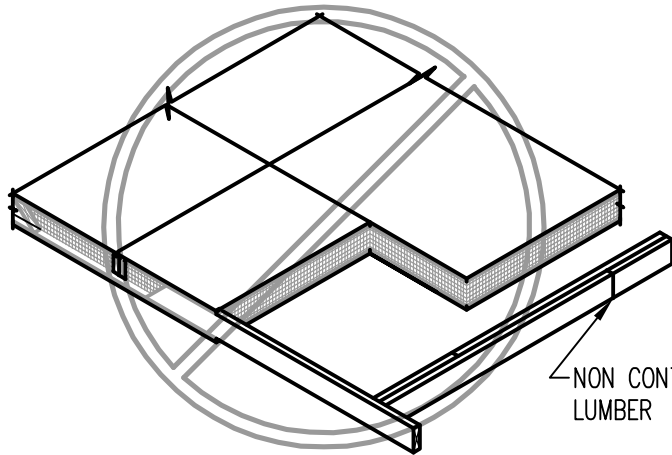


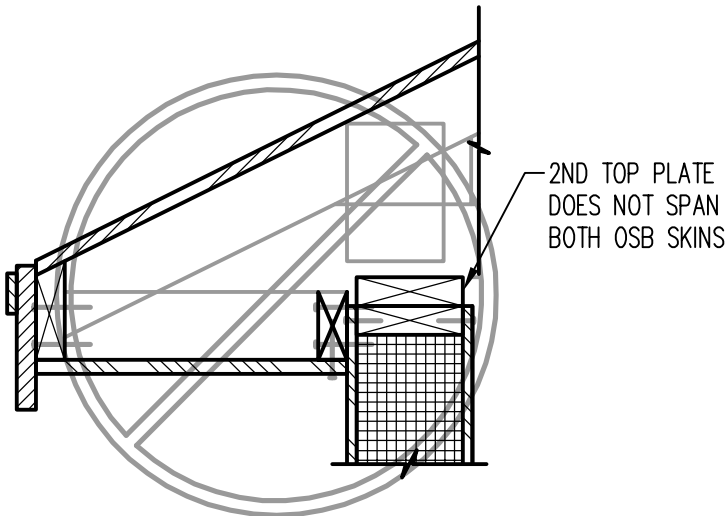
UNSUPPORTED SKIN



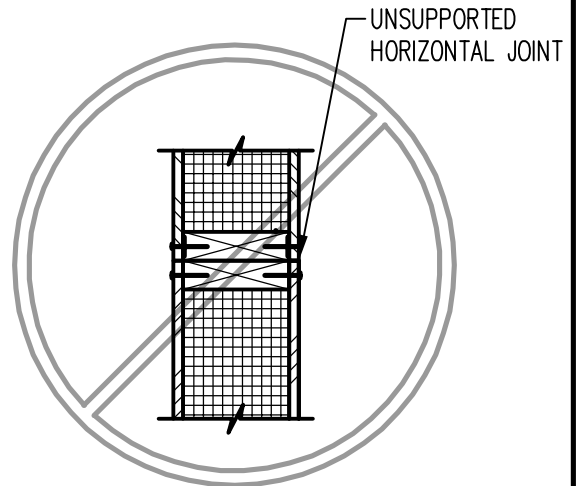
OSB SKINS DIRECTLY ON CONCRETE



NON CONTINUOUS LUMBER



2ND TOP PLATE DOES NOT SPAN BOTH OSB SKINS



UNSUPPORTED HORIZONTAL JOINT



SURETIGHT
INSULATED PANELS
BUILD SMARTER. LIVE BETTER.

SHEET TITLE:

COMMON ERRORS

SCALE:

NTS

LAST UPDATED:

12-06-05

SHEET NO:

SIPS-2